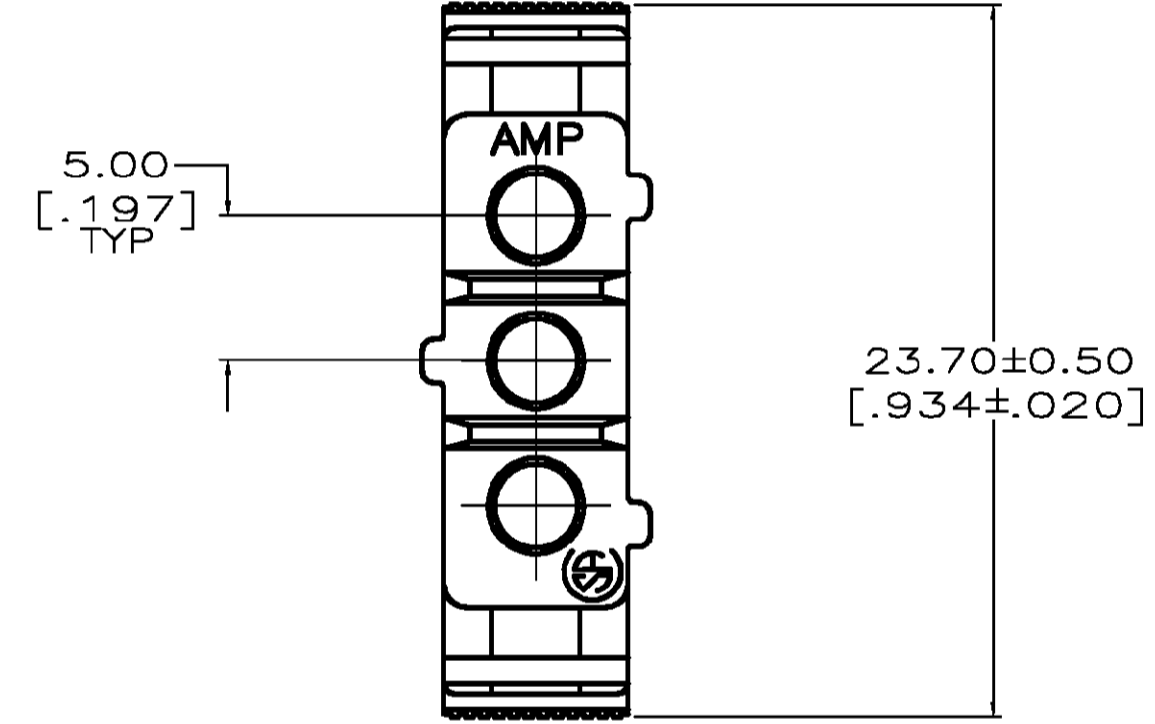
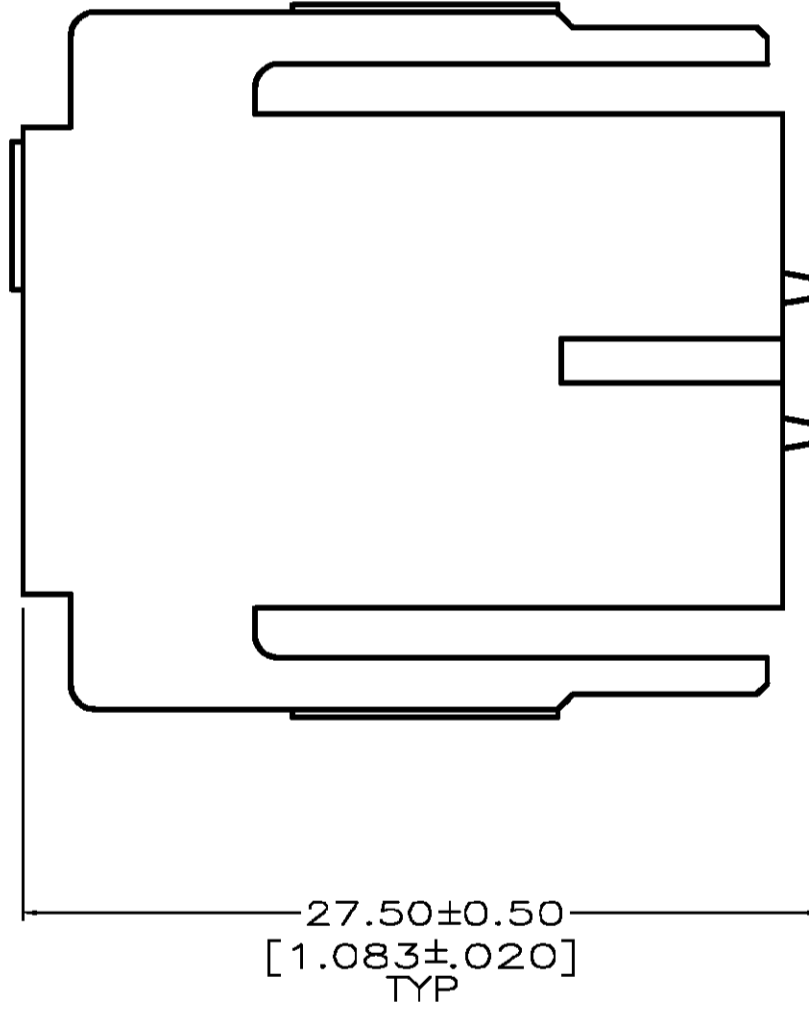
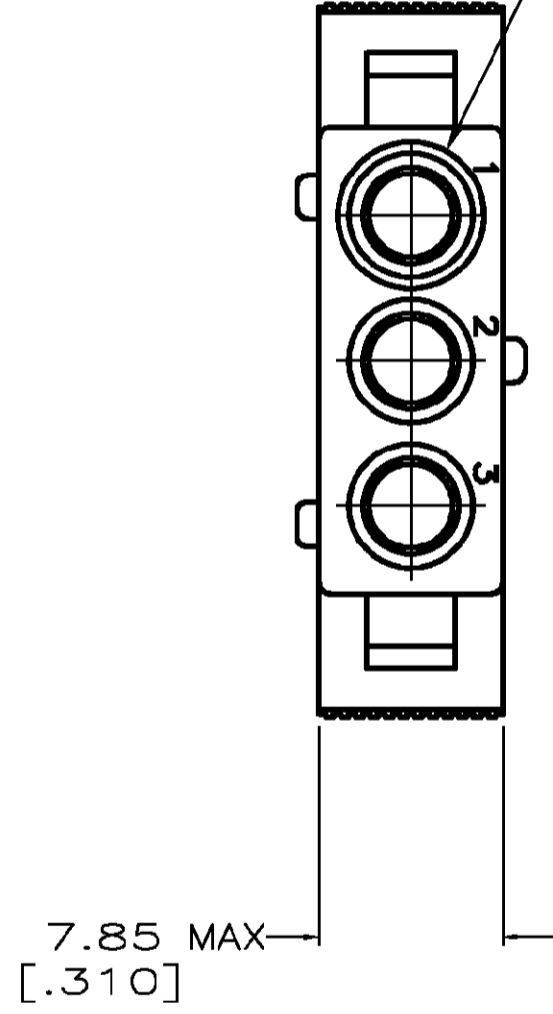


THIS DRAWING IS UNPUBLISHED. RELEASED FOR PUBLICATION
 © COPYRIGHT BY TYCO ELECTRONICS CORPORATION. ALL RIGHTS RESERVED.

LOC	DIST	REVISIONS			
P	LTR	DESCRIPTION	DATE	DWN	APVD
FT	13	G	REVISED PER 0G3B-0158-02	8/27/02	SS HW

NOTES:
 1 SUPERSEDED BY 207360-1.

RAISED CAVITY IDENTIFICATION
 ON REAR FACE ONLY.



SUPERSEDED	207360-2
	207360-1
PART NUMBER	

THIS DRAWING IS A CONTROLLED DOCUMENT.		DWN J.GALLUCCI 14 AUG 91	Tyco Electronics Corporation Harrisburg, PA 17105	
DIMENSIONS: MM		CHK J.McCLINTON 23 SEP 91	APVD A. TRAVIS 23 SEP 91	
TOLERANCES UNLESS OTHERWISE SPECIFIED:		NAME HOUSING, PLUG, 3 POSITION, IN-LINE, FREE HANGING, METRIMATE		
0 PLC ± -	1 PLC ± -	PRODUCT SPEC 108-10033		
2 PLC ± 0.25 [010]	3 PLC ± -	APPLICATION SPEC		
4 PLC ± -	ANGLES ± -	SIZE A2		
MATERIAL THERMOPLASTIC	FINISH -	WEIGHT -		CAGE CODE 00779
CUSTOMER DRAWING		DRAWING NO 207360		RESTRICTED TO -
		SCALE 4:1		SHEET 1 OF 1
				REV G